

PRODUCT DATASHEET

AT430AS

INTELLIGENT MULTI-CRITERIA DETECTOR

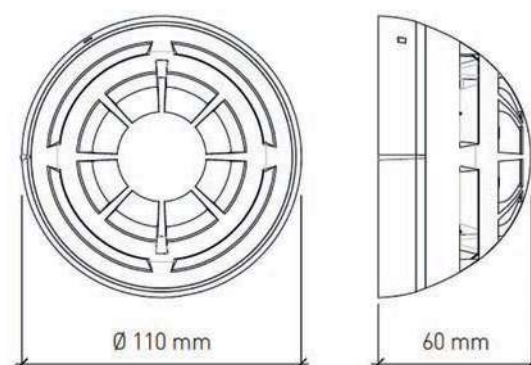
The AT430AS Intelligent Multi-Criteria Detector is a point detection device that continuously samples both the air and the temperature variation in the protected area to provide the earliest warning of a fire condition. Special algorithms utilise information from both the smoke and heat sensing elements to ensure high level of false alarm rejection without compromising genuine alarm sensing performance. This detector forms part of the serie 400 range of aesthetically pleasing low profile detection and alarm products and is fully compatible with all fire control equipment utilising the Avantronic fully digital communication protocol.



KEY FEATURES

- Nine modes of operation
- Utilises fully digital Avantronic protocol with high noise rejection
- Dust Restrict Chamber (DRC) technology offering good immunity to airborne contaminants
- Open style mounting base offers easy wiring and low pressure locking
- Programmable using the Device Programming Tool
- 5 year product warranty

TECHNICAL INFORMATION



TECHNICAL SPECIFICATION

- | | |
|---|-------------------|
| ■ Loop voltage | 15Vdc – 40Vdc * |
| ■ Average standby current | 85µA @ 24Vdc |
| ■ Remote Output Max Current | 20mA |
| ■ Dimensions (inc. base) | 110mm x 60mm |
| ■ Temperature Range (no icing) | -10°C to +55°C ** |
| ■ Max tolerated humidity (non condensing) | 95% RH |
| ■ Max number of loop addresses | 240 |
| ■ Weight (standard base included) | 130 g |

STANDARDS & APPROVALS

- BS EN 54-5: + A2: Heat Detectors - Point Detectors A1R
- BS EN 54-7 Smoke Detectors - Point Detectors using scattered light, transmitted light or ionisation
- BS EN54-17: Short Circuit Isolator
- CEA 4021: Multisensor Detectors



0832



928c

*Minimum 18V with LED operation **Performance may vary at extremes of range

Avantronic Systems, S.L.

C/ Yunque, 9 nave B1 - 28760 Tres Cantos - Madrid - SPAIN

T: +34-91 806 23 43 E: advantronic@advantronic.es www.advantronic.es